



**Nowodvorski**  
LIGHTING

## CATALOGUE CARD

LUMINAIRE MODEL

**VIPER**  
**6640**

CATALOGUE GROUP  
COUNTRY OF ORIGIN

**KATALOG 2022**  
**MADE IN POLAND**

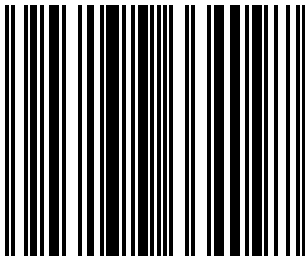
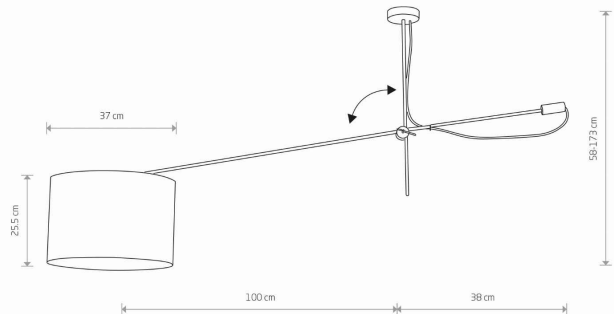
LIGHT SOURCE **E27**  
LIGHT SOURCES TYPE **Replaceable**  
MAXIMUM WATTAGE **1x60W**  
LAMP INCLUDES SOURCE OF LIGHT **No**  
NUMBER OF LIGHT SOURCES **1**  
IP **IP20**  
**Interior use**



PACKAGE DIMENSIONS (L/W/H) **150,5cm/14cm/11cm**  
NET/GROSS WEIGHT **1,67kg/2,95kg**  
ASSEMBLY METHOD **Bridge**  
LEADING/SUPPLEMENTARY COLOR **White**  
MATERIALS **Fabric, Painted steel**  
STYLE **Modern**  
ELECTRICAL SECURITY CLASS **I**  
POWER SUPPLY **~220-230V/50/60Hz**



### DIMENSIONS



5 903139664097