



Nowodvorski
LIGHTING

CATALOGUE CARD

LUMINAIRE MODEL

AMALFI
9155

CATALOGUE GROUP
COUNTRY OF ORIGIN

KATALOG 2022
MADE IN P.R.C.

LIGHT SOURCE **E27**
LIGHT SOURCES TYPE **Replaceable**
MAXIMUM WATTAGE **1x60W**
LAMP INCLUDES SOURCE OF LIGHT **No**
NUMBER OF LIGHT SOURCES **1**
IP **IP20**
Interior use



PACKAGE DIMENSIONS (L/W/H) **33cm/21cm/19cm**

NET/GROSS WEIGHT **0,7kg/1kg**

ASSEMBLY METHOD **Bridge**

LEADING/SUPPLEMENTARY COLOR **Gold**

MATERIALS **Metallized glass,Steel,Solid brass**

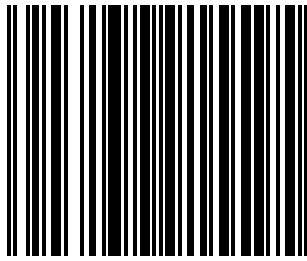
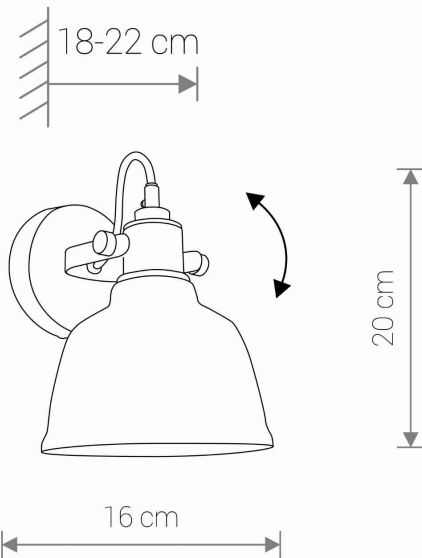
STYLE **Industrial**

ELECTRICAL SECURITY CLASS **I**

POWER SUPPLY **~220-230V/50/60Hz**



DIMENSIONS



5 903139915595