



LUMINAIRE MODEL

CHARLIE
8366

CATALOGUE GROUP
COUNTRY OF ORIGIN

KATALOG 2022
MADE IN P.R.C.

LIGHT SOURCE **GU10**
 LIGHT SOURCES TYPE **Replaceable**
 MAXIMUM WATTAGE **1x15W**
 LAMP INCLUDES SOURCE OF LIGHT **No**
 NUMBER OF LIGHT SOURCES **1**
 IP **IP54/20**
Interior use



PACKAGE DIMENSIONS (L/W/H) **10cm/10cm/6,5cm**

NET/GROSS WEIGHT **0,21kg/0,26kg**

ASSEMBLY METHOD **Recessed assembly**

LEADING/SUPPLEMENTARY COLOR **White**

MATERIALS **Painted aluminum, Glass**

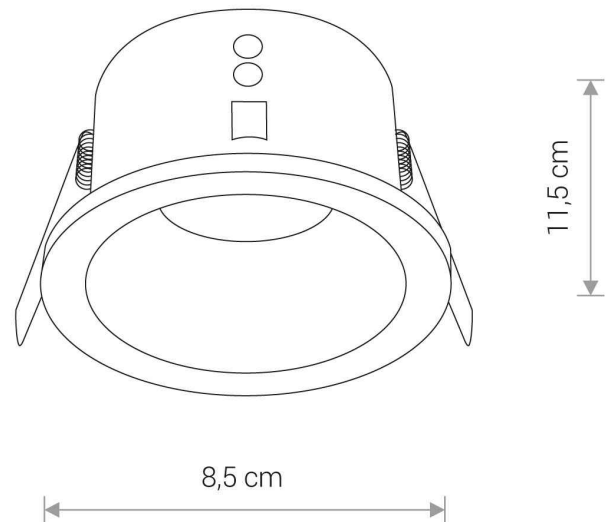
STYLE **Modern**

ELECTRICAL SECURITY CLASS **I**

POWER SUPPLY **~220-230V/50/60Hz**



DIMENSIONS



cut out \varnothing 7,5 cm

CUT OUT

HOLE SHAPE **Round**

HOLE DIMENSIONS **7.5cm**

