



LUMINAIRE MODEL

**ECHO**  
**8372**

CATALOGUE GROUP  
COUNTRY OF ORIGIN

**KATALOG 2022**  
**MADE IN P.R.C.**

LIGHT SOURCE **GU10**  
 LIGHT SOURCES TYPE **Replaceable**  
 MAXIMUM WATTAGE **1x15W**  
 LAMP INCLUDES SOURCE OF LIGHT **No**  
 NUMBER OF LIGHT SOURCES **1**  
 IP **IP54/20**  
**Interior use**



PACKAGE DIMENSIONS (L/W/H) **13cm/13cm/6,5cm**

NET/GROSS WEIGHT **0,24kg/0,3kg**

ASSEMBLY METHOD **Recessed assembly**

LEADING/SUPPLEMENTARY COLOR **Black**

MATERIALS **Painted aluminum, Glass**

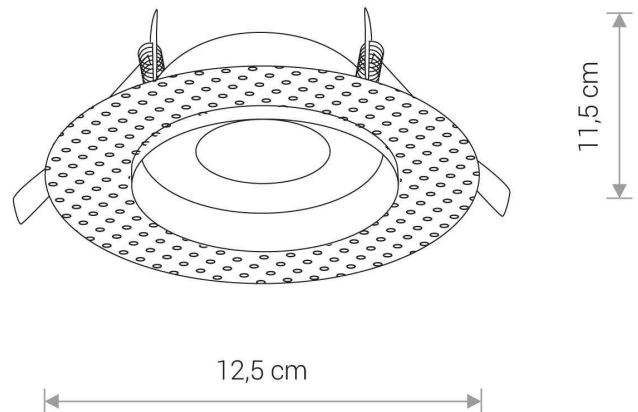
STYLE **Modern**

ELECTRICAL SECURITY CLASS **I**

POWER SUPPLY **~220-230V/50/60Hz**



DIMENSIONS



CUT OUT

HOLE SHAPE **Round**  
 HOLE DIMENSIONS **8cm**

