



LUMINAIRE MODEL

**CHILLIN**  
**8214**

CATALOGUE GROUP  
COUNTRY OF ORIGIN

**KATALOG 2022**  
**MADE IN POLAND**

LIGHT SOURCE **G9; E27**  
 LIGHT SOURCES TYPE **Replaceable**  
 MAXIMUM WATTAGE **40W, 1x10W only LED**  
 LAMP INCLUDES SOURCE OF LIGHT **No**  
 NUMBER OF LIGHT SOURCES **2**  
 IP **IP20**  
**Interior use**



PACKAGE DIMENSIONS (L/W/H) **22cm/22cm/18,5cm**

NET/GROSS WEIGHT **0,65kg/0,91kg**

ASSEMBLY METHOD **Direct assembly**

LEADING/SUPPLEMENTARY COLOR **Green-Gold,Black**

MATERIALS **Velvet,Painted steel,Solid brass,Flexible stem**

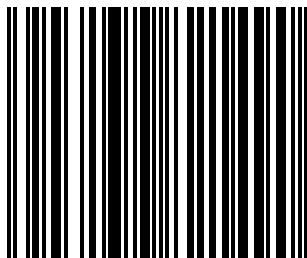
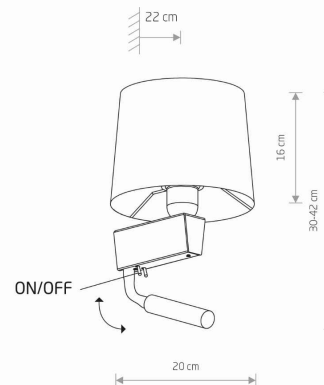
STYLE **Classic**

ELECTRICAL SECURITY CLASS **I**

POWER SUPPLY **~220-230V/50/60Hz**



DIMENSIONS



5 903139821490