



LUMINAIRE MODEL

**DISK
7644**

CATALOGUE GROUP
COUNTRY OF ORIGIN

**KATALOG 2022
MADE IN POLAND**

LIGHT SOURCE **GX53**
 LIGHT SOURCES TYPE **Replaceable**
 MAXIMUM WATTAGE **8W**
 LAMP INCLUDES SOURCE OF LIGHT **No**
 NUMBER OF LIGHT SOURCES **3**
 IP **IP20**
Interior use



PACKAGE DIMENSIONS (L/W/H) **55cm/52cm/70cm**

NET/GROSS WEIGHT **1,78kg/3,11kg**

ASSEMBLY METHOD **Bridge**

LEADING/SUPPLEMENTARY COLOR **Black, Dark wood**

MATERIALS **Painted steel, Plywood**

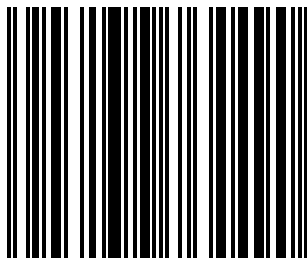
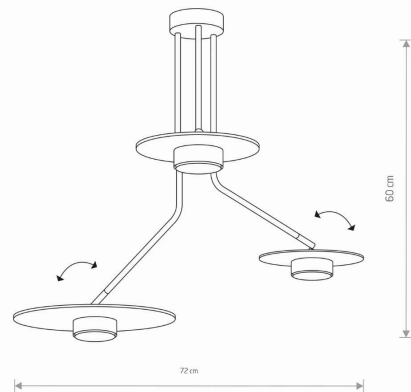
STYLE **Modern**

ELECTRICAL SECURITY CLASS **I**

POWER SUPPLY **220-230V/50/60Hz**



DIMENSIONS



5 903139764490