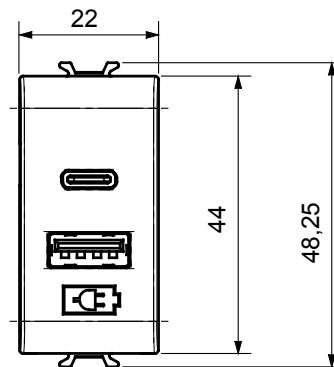
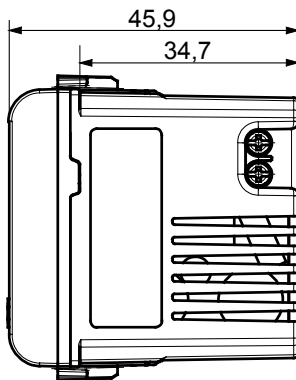




Wide range of control devices, sockets for power supply (conforming to national and international standards) signal pick-up, climate control, comfort management, technical alarm signalling and emergency lighting management. The ChoruSmart modular devices are available in five colours, glossy white, satin white, natural beige, satin black and lacquered titanium and in various sizes from 1/2, 1, 2 and 3 modules. Thanks to the mounting supports for rectangular, square and round boxes, endless combinations can be created with the ChoruSmart range of plates.

Category	USB power supply	Colour	Glossy white
Supply voltage	100 ÷ 240 V ac - 50/60 Hz	Standard	IEC 62368-1:2018; EN 61000-6-1; EN 61000-6-3
Wiring terminals	With screw	Terminal tightening capacity stranded cables (mm ²)	min. 1 - max. 1,5 mm ²
Terminal tightening capacity solid cables (mm ²)	min. 1 - max. 1,5 mm ²	Material	Technopolymer
Electrocod	0144		

DIMENSIONAL



STANDARDS/APPROVALS

